



Digigraph

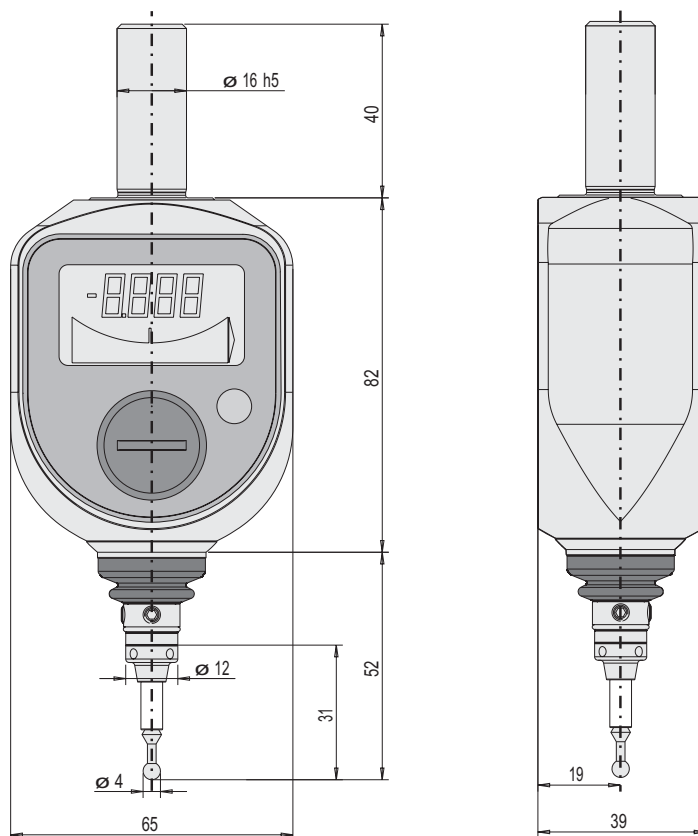
3D-Touch Probe



- High precision and linearity
- Control independent
- Excellent readability through combined display
- Comfortable and simple concentricity adjustment
- Large measuring range in all directions
- Impact protected and water proof
- Compact metal housing and long probe arm
- Predetermined breaking point in the stylus



Shank diameter	16 mm
Measuring accuracy	< 0.01 mm
Reading accuracy	0.005 mm
Deflection x, y, z, each	7 mm
Dimensions L, W, D	82 mm, 65 mm, 39 mm
Free length probe arm	52 mm
Concentricity adjustment range	+/- 0.4 mm
Weight	520 g



Accessories

Stylus

Stylus	Ø 4 mm
Length	31 mm

