

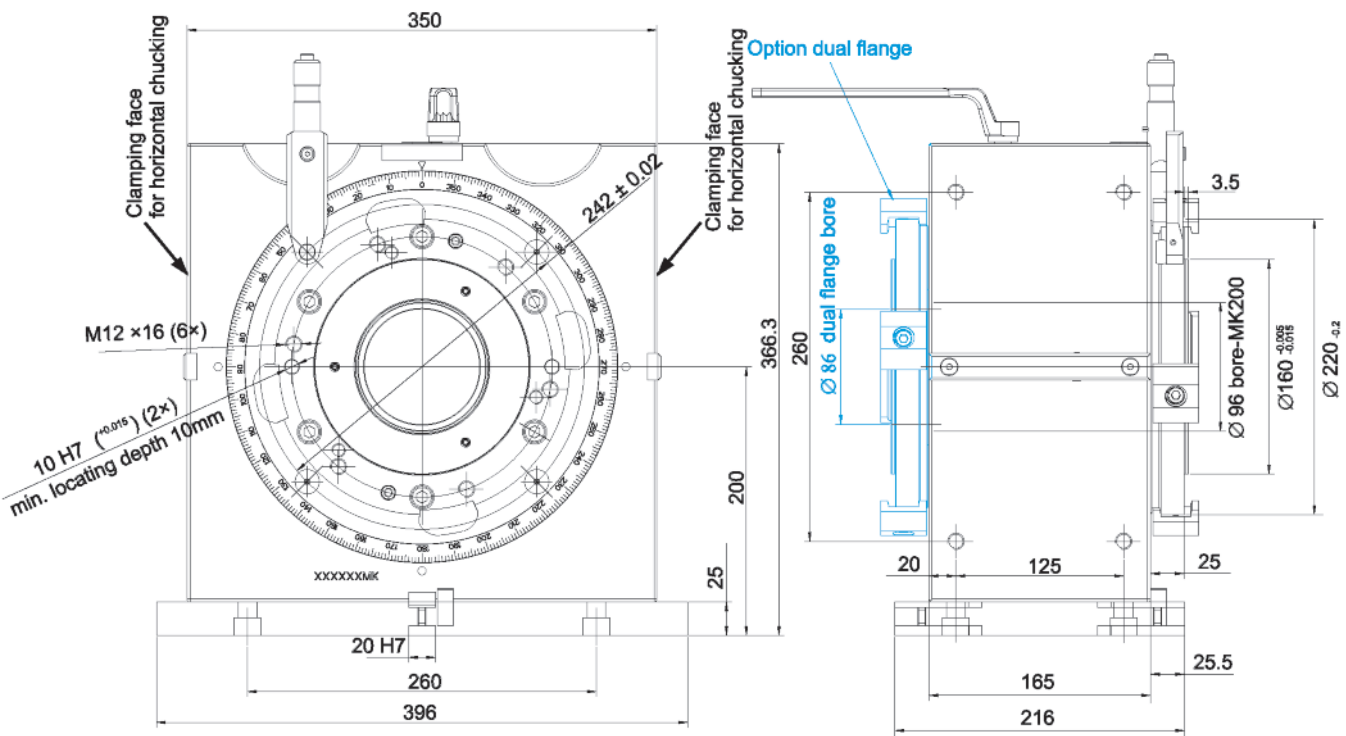
## RotoKlick 200

Dividing Head

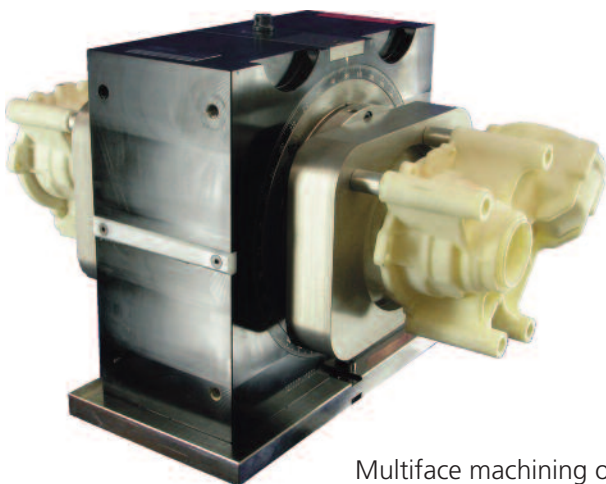
- Cost-effective multiple-side machining
- Machine independent
- High holding torque through positive interlocking
- Dividing manually or automatically using the machine spindle
- 360 x 1°-division
- Simultaneous clamping of 2 parts thanks to dual flange
- 5-face machining without counterholder
- Bar machining due to hollow spindle
- To be use horizontally or vertically
- Quick order change through wedge clamping



Division	360 x 1°
Centre height	200 mm, 250 mm with assembly plates
Chuck diameter	D = 160 mm
Borefit for dowel	D = 96H6, 10 mm deep
Location bore	Rotoklick 200: D = 96
	Rotoklick 200 dual flange: D = 86
Locking	positive interlocking, mechanical, automatic
Indexing precision	10 arc seconds
Recommended feed for dividing	up to 15 m/min. depending on the moving mass
Clamping force	3000 Nm
Weight	approx. 90 kg
Option	Dual flange



Application example



Multifaceted machining of plastic parts with dual chucking